

The **Questar Birder** is the spotting scope everyone turns to when identification hangs in the balance.

### Spotting Scope

Standard powers of 8.5x, 40x and 65x resolve details that are feather-edge fine at 20 feet or 2000 feet. Optional available eyepieces can vary this to increase powers. The built-in multi port control box allows for visual & for photography. Our 89mm aperture and long 1300mm focal length provide light grasp and the power to reach out beyond the limits of

other scopes. Our unique Control Box allows three magnifications without changing eyepieces, with a camera mounted at the same time. Focus is perfect from edge to edge, eliminating the eyestrain associated with field curvature. Colors are completely distortion-free and vivid. Each Questar is tested and guaranteed to out-resolve any scope on the market. The Questar Birder's rapid focus will aid you with speed and precision when changing powers or pursuing targets. Weighing less than 4 lbs., (13 lbs. in its waterproof carrying case), the Questar Birder travels effortlessly and ready to use in an instant.



TYPE:	Maksutov Cassegrain Catadioptric
WORKING RANGE:	20 feet to infinity
CLEAR APERTURE:	3.5 inches, 89mm (Center Obstruction, 27.9mm)
FOCAL LENGTH:	Basic Visual 1300mm-f/14.6, Camera Close, 1400 f/16, Camera with full extension, 1600mm f/18
FINDER LENS:	270mm EFL, 8.5x power with standard eyepiece (32mm)
POWER LIMITS:	Resolves 1 sec. Arc at 50" (1300mm) EFL
FEATURE:	Rapid Focus, Soft plastic caps on front lens, eyepiece and finder, Dew Cap/Sun Shade, 1.7x internal Barlow, Basic camera coupling set. Ready for photography may require specific camera adapter.
LENS:	BK7, MgF <sub>2</sub> coated, passes UV to 3300 A, IR to 1 micron
MIRROR:	F2, Pyrex®, Zerodur® or Quartz. AlSiO coated 3.800" dia. (All Questars for UV or IR on special order)
SPECIAL COATINGS:	On special order, broad-band dielectric coating applied to the mirror, which increases its reflectivity. To both sides of front lens, a very low reflection coating is then applied which reduces the light loss at each surface to less than 1/10 of 1%. It transmits all frequencies of the visible spectrum and improves total light grasp by approximately 22%.
EYEPIECES:	32 mm Brandon, 45° ap. Field; 8.5x, 40x and 65x, optional eyepieces of 8mm, 12mm, 16mm, 24mm.
INTERNAL/BARLOW LENS:	Minus 43.9 mm FL. Approx 1.7X.
ERECTING SYSTEM:	Star Diagonal type, 90° BK7, MgFL <sub>2</sub> coated.
BARREL ASSEMBLY:	Barrel: forged aluminum, machined full length.
LENS CELL:	Aluminum 24S-T4, black anodized.
REAR CLOSURE PLATE:	Stainless steel CENTRAL TUBE - precision machining and alignment after assembly.

**DEWCAP:** Internally black-flocked Synthane seamless tube 1/32" thick, to which is bonded a pre-rolled aluminum sheet.

**FOCUSING MECHANISM:** Mirror thimble, stainless steel sliding tube. Slides on stainless, fixed, light-baffle tube, with front-end insert tube of .010" wall thickness. Conical SS spring-loaded. Focus rod SS 303, ground shaft, 10-56 T.P.I. precision ground threads. Optional Rapid focus rod for faster focus, 10-24. 2.3x faster.

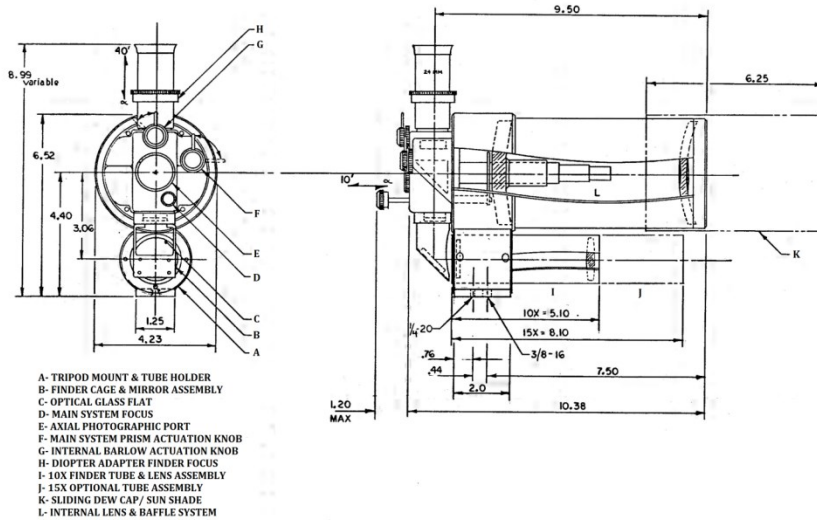
**KNOBS:** Aluminum 24S-T4, corrosion-resistant, hand-turned on turret lathe, stainless steel shafts and levers.

**WEIGHT:** Less than 4lb., 13lbs in waterproof field case

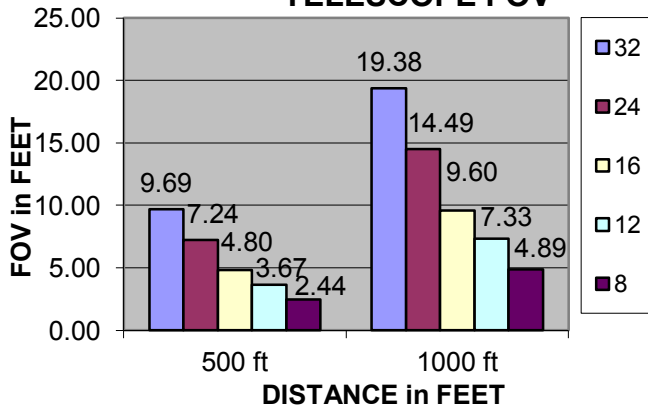
**SIZE of CASE:** 18.5" x 14.6" x 5.7"

**Options & Recommended Accessories**

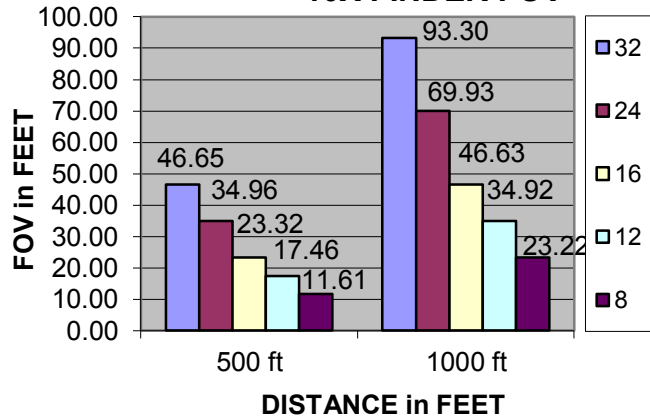
- Anti Reflection Coated Protective flat
- Light-weight BOGAN Field Tripod with quick release head and legs
- Image erector to correct image reversal
- 16mm and 24mm Eyepieces



**TELESCOPE FOV**



**10X FINDER FOV**



**Questar Corporation**  
 6204 Ingham Road  
 New Hope, PA 18938  
 USA

Phone: 215-862-5277 or 800-247-9607  
 Fax: 215-862-0512  
 Email: [questar@QuestarCorporation.com](mailto:questar@QuestarCorporation.com)  
 Web: [www.QuestarCorporation.com](http://www.QuestarCorporation.com)